



Product Specifications

Input :
AC100-240V / 50-60HZ / 100mA

Output :
5.0 VDC / 2100mA

Insulation strength :
3000VAC/10mA for 1 minute.

Insulation resistance :
Input to output = 50MO with 1 minute, 500VDC

Working conditions :
0°C~40°C, 5%~90%RH

Storage conditions :
-20°C~85°C, 5%~90%RH

Cooling :
Natural

Certification:
CE, UL

EMC :
According to EN55022B

LED instruction :
Red means charging, Green means full charger

Product size :
86 x 48 x 23 mm

Materials :
PC+ABS

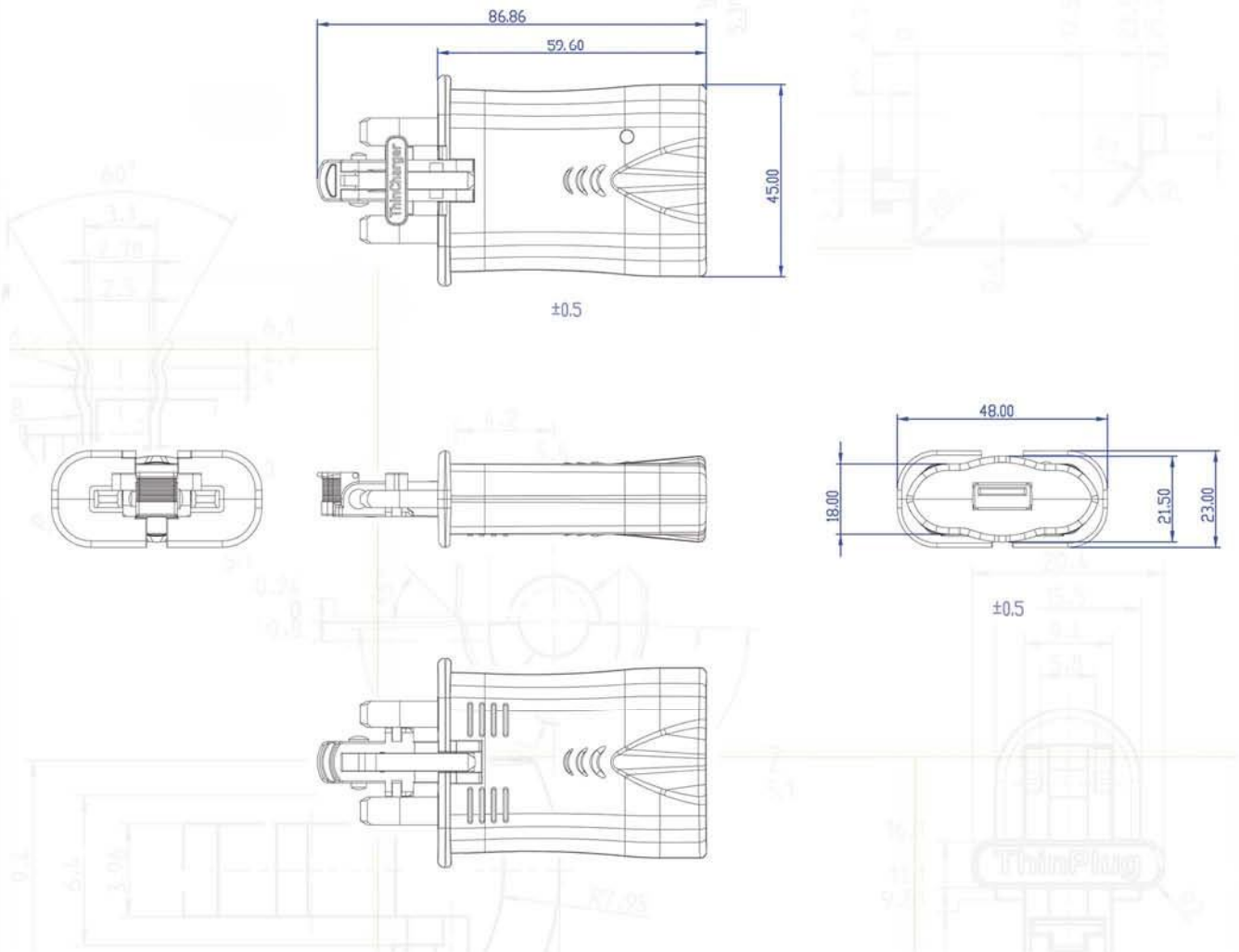
Product colour :
Black with red ISOD pin.

USB Folding Wall Charger

ThinCharger is the UK's first ever fold-flat USB charger without moving live pins.

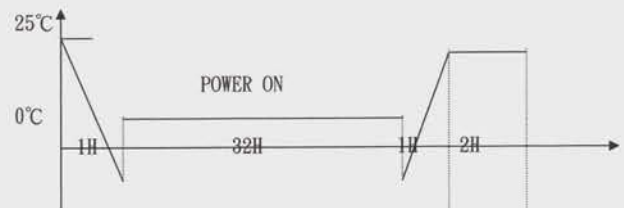
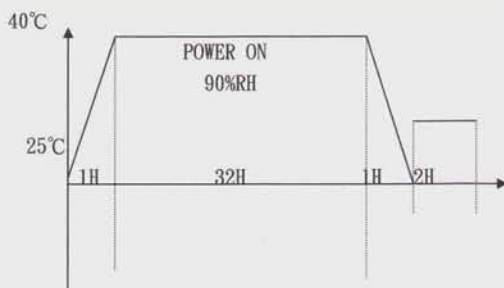
ThinCharger's non-protruding pins (in closed position) if packed, will not damage your valuable equipment and is light and small and can also be carried in a pocket or purse.

Reliable. Manufactured using ultrasonic welding. High performance.



High Temperature operation

Low Temperature Operation



Vibration Test

| NO | Condition | Spec | Result |
|----|----------------------|---------------------------|-------------------------------|
| 1 | Cycle | 10~500HZ | A. Functional |
| 2 | Cycle changing speed | 1OCTAVE/MIN | B. No constructional damage |
| 3 | Acceleration | 1.5GRMS | C. No parts failure and loose |
| 4 | Direction | Once for X·Y·Z | D. Screw cannot be loose |
| 5 | Vibration | 15 min per each direction | |

