



UK Folding Plug

ThinPlug is the UK's first ever fold-flat plug that has no moving live pins and has attained BS1363 certification.

Designed for class II portable appliances, it's the smallest UK folding plug ever made that's safe.

It's convenient design and size means that it is up to 3 times lighter to carry and making it easy to pack with other electronic equipment.

In storage position it lies flat with no protruding pins and will not damage your equipment, nor will it hurt if you accidentally step on it.

It's small size means 50% less material used to make a plug and is environmentally friendly and requires less packaging.

It's small enough to send by post and will pass through most letterboxes.

Product Specifications

Working Conditions :
0°C~40°C, 5%~90%RH

Storage Conditions :
-20°C~85°C, 5%~90%RH

Pin spacing :
22.23+/-0.13mm

Current Rate :
3A

Certification:
BS1363
ASTA Intertek
Diamond Mark (ASTA approved ref no.987).

RoHS / REACH conform.

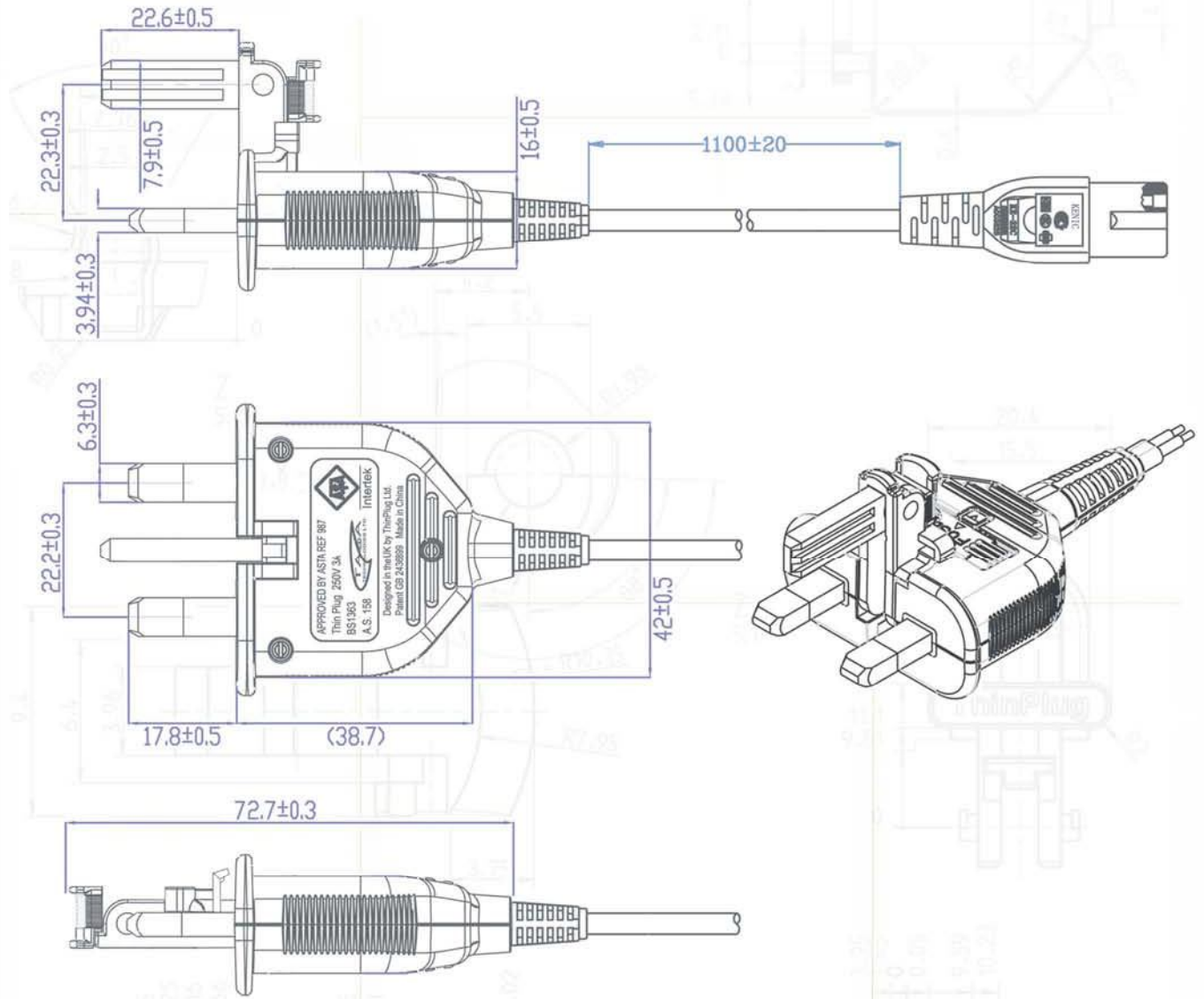
Dimensions :
16mm,42mm,72.7mm (H,W,L)

Materials :
30% glass-reinforced PBT

Product colour :
Black with red ISOD pin. Or customers choice.



APPROVED BY ASTA REF 987
Thin Plug 250V 3A
BS1363
A.S. 158



How to replace the fuse

